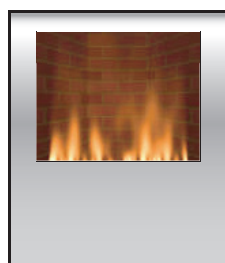


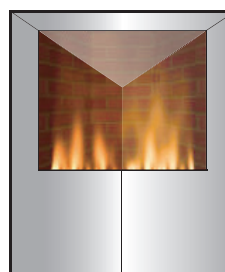
Dimplex



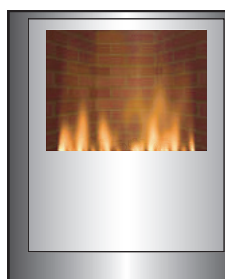
SP1 Wallfire



SP2 Wallfire



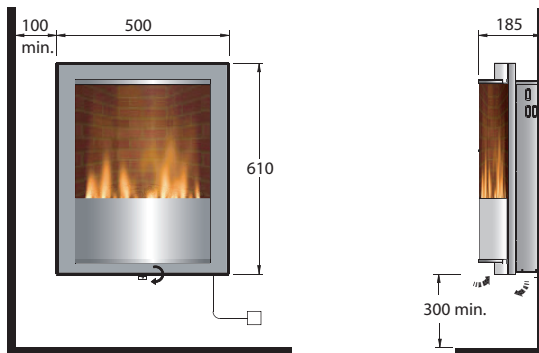
SP3 Wallfire



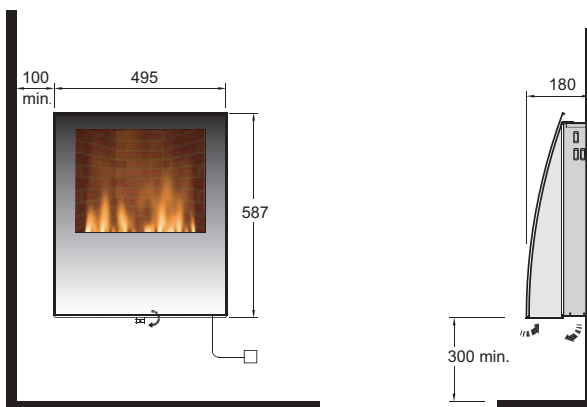
SP8 Wallfire

1

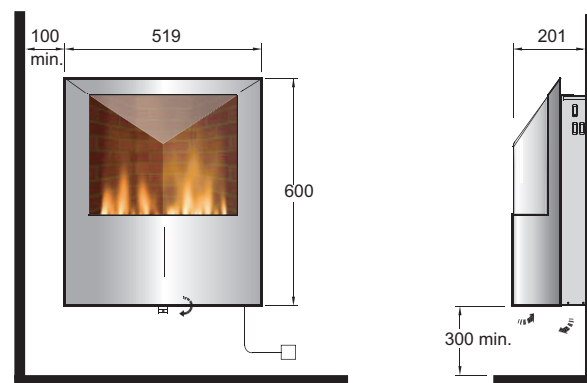
SP1



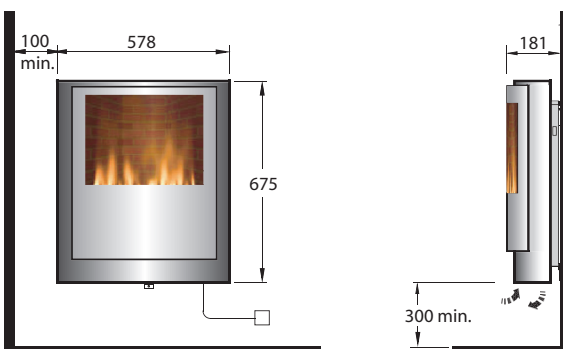
SP2

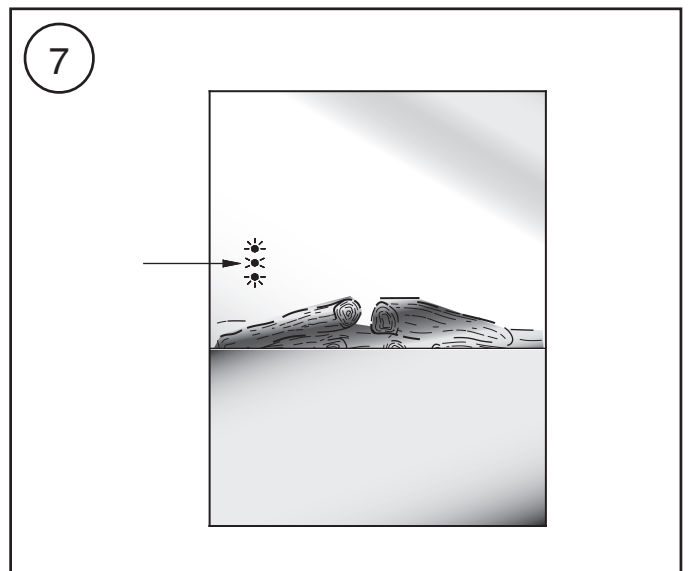
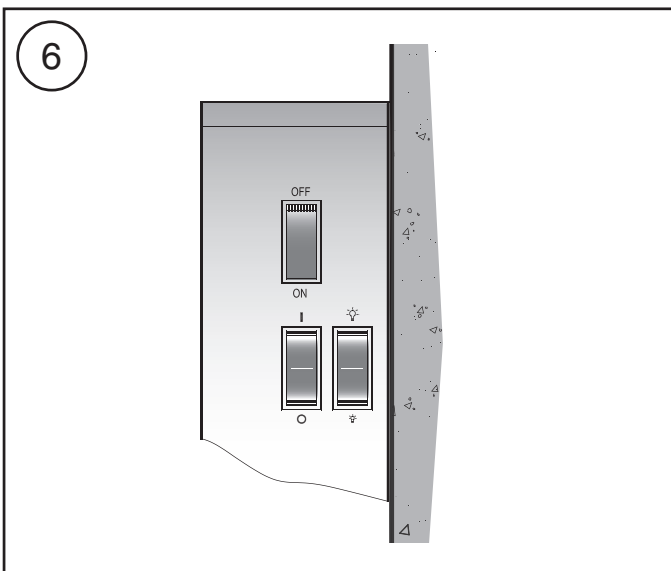
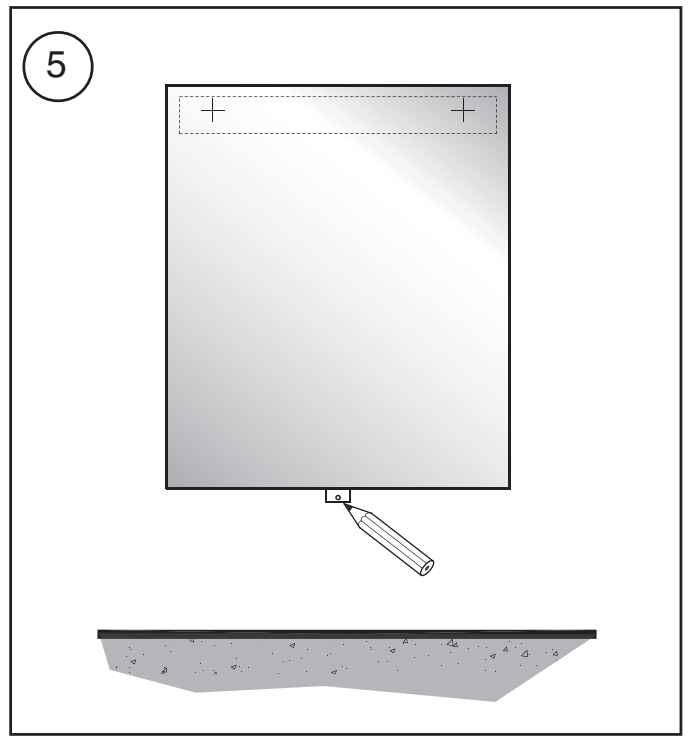
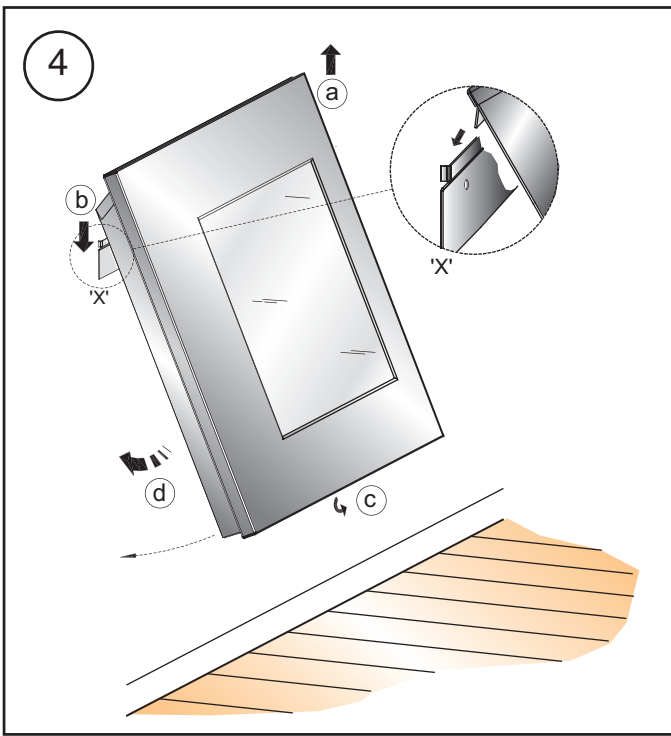
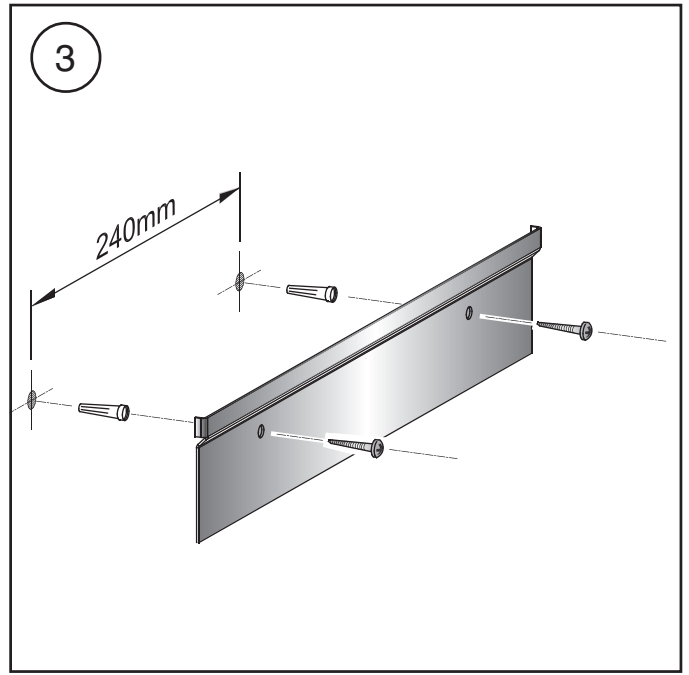
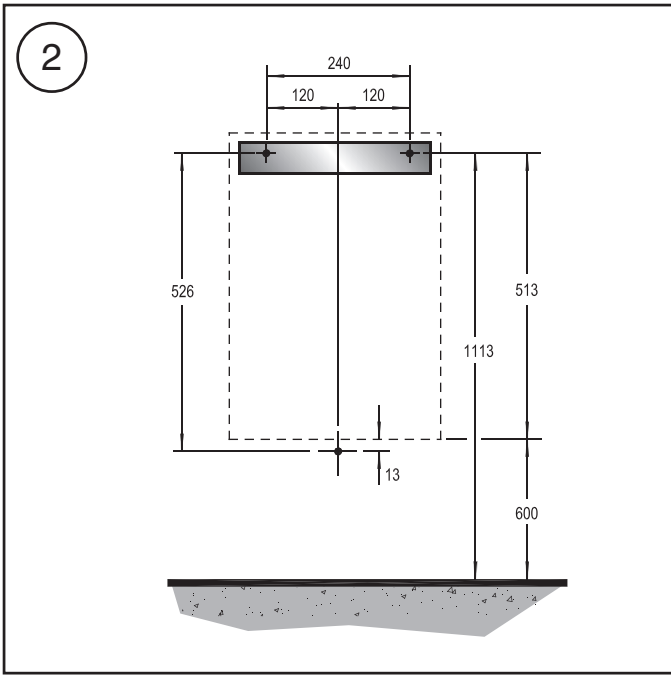


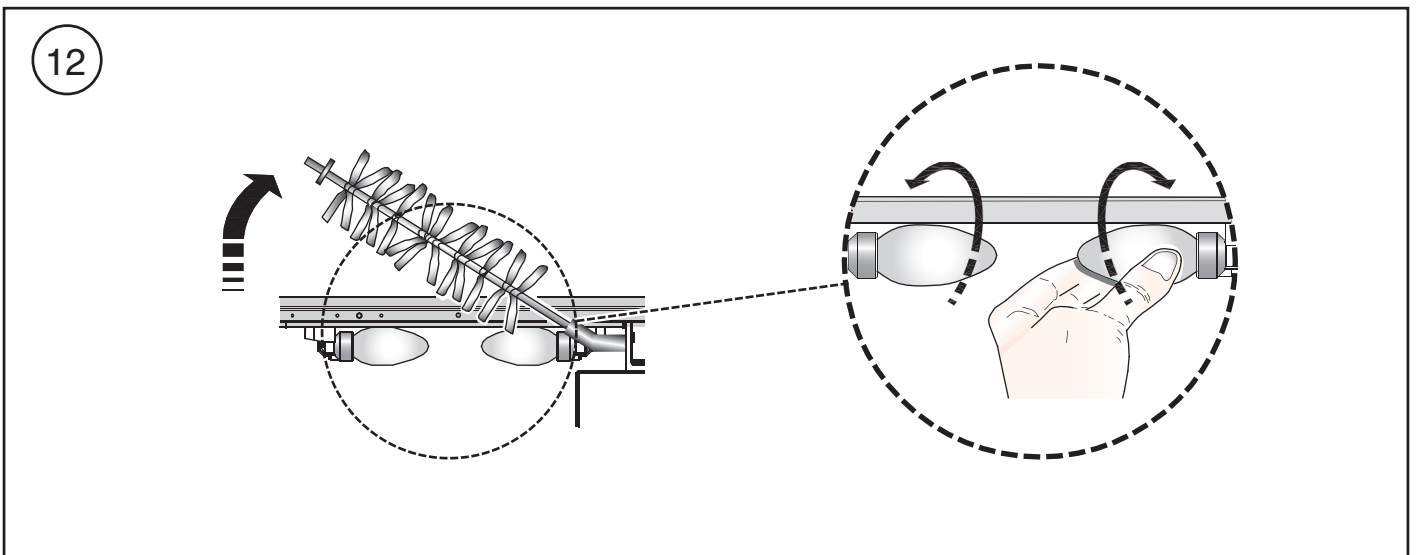
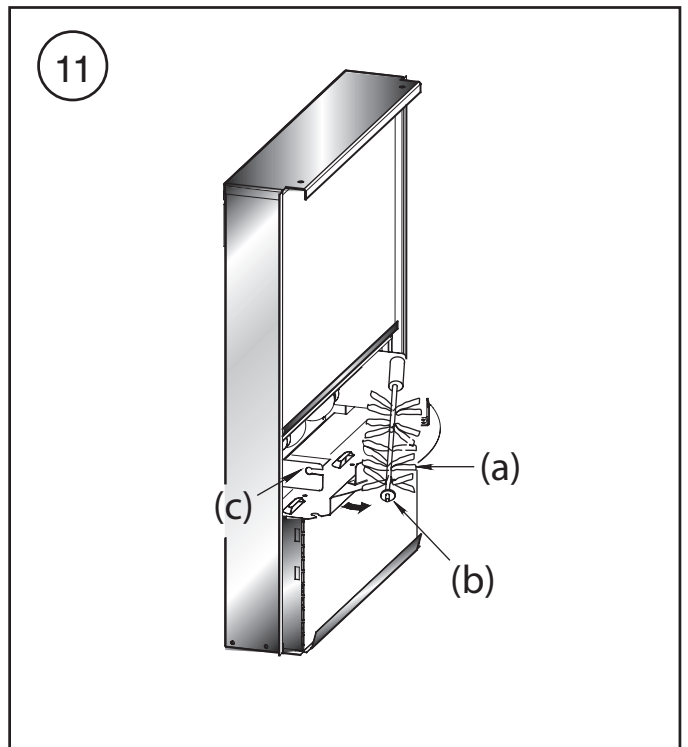
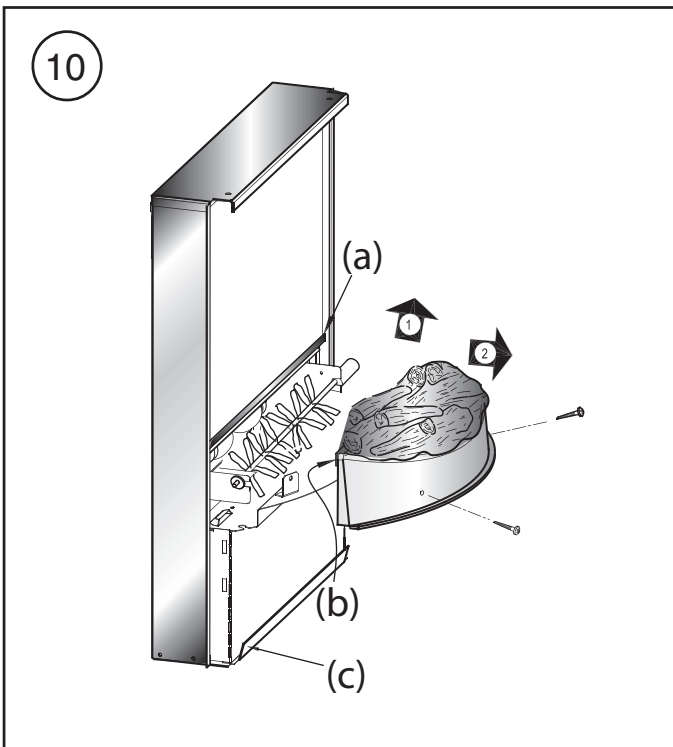
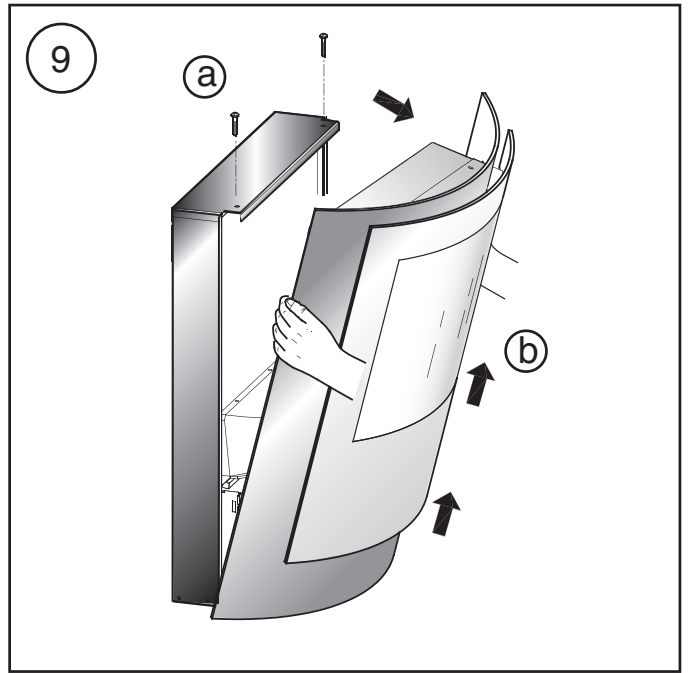
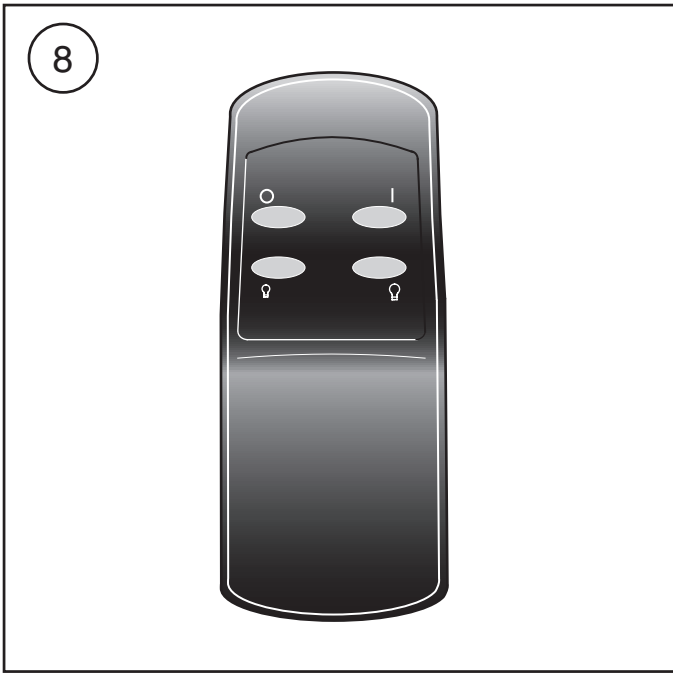
SP3



SP8







Dimplex Wall Fires

Model(s): SP120, SP220, SP320 & SP820

IMPORTANT: THESE INSTRUCTIONS SHOULD BE READ CAREFULLY AND RETAINED FOR FUTURE REFERENCE

Important Safety Advice

When using electrical appliances, basic precautions should be followed to reduce the risk of fire, electric shock, and injury to persons, including the following:

If the appliance is damaged, check immediately with the supplier before installation and operation.

Do not use this heater in the immediate surroundings of a bath, shower or swimming pool.

Do not use outdoors.

This heater must not be located immediately above or below a fixed socket outlet or connection box.

Do not cover or obstruct in any way the heat outlet grille located underneath the heater. Overheating will result if the heater is accidentally covered.

In the event of a fault unplug the heater.

Unplug the heater when not required for long periods.

The supply cord must be placed on the right hand side of the heater away from the heat outlet underneath the heater.

Although this heater complies with safety standards, we do not recommend its use on deep pile carpets or on long hair type of rugs.

This appliance is not intended for use by children or other persons without assistance or supervision if their physical, sensory or mental capabilities prevent them from using it safely. Children should be supervised to ensure that they do not play with the appliance.

The appliance must be positioned so that the plug is accessible.

If the supply cord is damaged it must be replaced by the manufacturer or service agent or similarly qualified person in order to avoid a hazard.

Caution: In order to avoid a hazard due to inadvertent resetting of the thermal cut-out, this appliance must not be supplied through an external switching device, such as a timer, or connected to a circuit that is regularly switched on and off by the utility.

Warning: The heater must not be used if the glass panels are damaged.

Electrical

WARNING – THIS APPLIANCE MUST BE EARTHED

This heater must be used on an AC ~ supply only and the voltage marked on the heater must correspond to the supply voltage. Do not switch the appliance on until properly installed. Please read all the safety warnings and operating instructions.

General

Unpack the heater carefully and retain the packaging for possible future use, in the event of moving or returning the fire to your supplier.

Contents of Carton.

- Heater.
- Wall fixing bracket.
- Fixing screws and wall plugs.
- Remote control and batteries (3 AAA's type).
- Spare bulb.

Do not connect the heater to an electricity supply until it is installed on a wall correctly. - see 'Installation'.

A choice of 1kW or 2kW heat output is provided by the fan heater, which is concealed underneath the unit.

The heater can be used remotely or manually. - see 'Operation'.

General features of remote control are:

- Heat output can be increased or decreased according to your particular requirements.
- The illumination of fuel effect can be increased or decreased.

Please note: Used in an environment where background noise is very low, it may be possible to hear the fan which operates the flame effect. This is normal and should not be a cause for concern.

Installation

Do not connect appliance until properly fixed to the wall and the Instruction leaflet is read fully.

The minimum distances must be observed.

For installation of the appliance, care must be taken not to damage concealed cables.

Please be careful while drilling the holes.

This model is designed to be permanently fixed to a wall at a minimum height of 300mm.

The wall bracket must be fitted horizontally and the cable routed to the bottom right of the heater as in **Fig. 1**.

A height of 600mm from bottom of heater to floor is recommended for optimum viewing of fuel bed (see **Fig. 2** for recommended fixing dimensions).

For optimum viewing mark the top two screw fixing positions on wall in accordance with the recommended fixing dimensions - see **Fig. 2**.

Fix the wall bracket using the two plugs and screws provided - see **Fig. 3**.

Carefully lift the heater up ensuring that the top rear ledge of heater engages the wall bracket and is sitting centrally positioned - see **Fig. 4 (b)**.

Rotate the bottom fixing bracket down - see **Fig. 4 (c)**.

Gently bring the heater level with the wall - see **Fig. 4 (d)**.

Mark the bottom hole position (see **Fig. 5**), remove the heater ensuring that the bottom fixing bracket is rotated up.

Drill and fit wall plug.

Refit the heater to the wall fixing bracket (i.e. follow steps as in **Fig. 4 a, b, c and d** above) and rotate the bottom fixing bracket down again and use the screw provided to permanently fix the heater in place.

The heater should not be connected until the instruction leaflet is read fully.

Note: Fix the appliance to the wall using the screws and wall plugs provided, but these fixings do not suit all types of walls. IT IS IMPORTANT THAT THE FIXING DEVICE CHOSEN IS APPROPRIATE TO THE WALL MATERIAL TO WHICH THE FIRE IS BEING FIXED. SOME MODERN INTERNAL BUILDING MATERIALS ARE VERY LOW DENSITY BLOCK AND REQUIRE SPECIALIZED FIXING DEVICES TO PROVIDE A SAFE, SECURE INSTALLATION.

Manual & Remote Operation

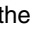

The switches are located at the right hand side of the heater.


Setting	Operation	Setting
Flame Effect		Bottom Neon
Flame Effect & 1Kw Heat	Press the ' I ' button	Middle Neon
Flame Effect & 2Kw Heat	Press the ' I ' button again	Top Neon

The Standby switch must first be turned 'ON' to operate the heater manually or by remote control.

Note: It takes some time for the receiver to respond to the transmitter. DO NOT PRESS the buttons more than once within two seconds for correct operation.

To go to the previous settings press the  button.

Pressing the  button on the remote turns off the light & heat settings. To resume press the  button until the desired setting is reached - see **Fig. 8**.

To increase or decrease the brightness of the flames, use the dimmer button or the  button on the Remote Control. The heat setting will remain the same.

To turn off the power the Standby Switch must be turned 'OFF'.

Instructions for fitting pebbles - SP8 only

The SP8 model is provided with a pebble fuel effect. To fit follow the instructions given below.

Warning - The pebbles should only be placed on to the fuel effect once the fire has been fully secured to the wall.

This should only be done when the appliance is switched off.

The front panel will need to be removed in order to place the pebbles on the fuel bed.

Warning - The front panel is heavy and easily damaged.

1. Remove the two screws which hold the front panel in place - see **Fig. 9**.
2. While holding the front by its sides with both hands carefully tilt forwards and then lift **up** and **out** - see **Fig. 9b**.
3. Place the front panel flat on a protective surface such as a matt with the glass facing away from the floor.
4. Remove the pebbles from the packaging and arrange on the fuel bed.
5. Refit the front panel ensuring that its base is held in place i.e. that it slots into the channel on the frame (see **Fig. 10c**) reversing the steps as outlined previously.

Lamp Replacement

WARNING – ALWAYS DISCONNECT FROM THE POWER SUPPLY BEFORE REMOVING LAMPS.

Warning - The lamps reach high temperatures during operation. For this reason, allow the lamps to cool down after switching off the appliance.

The front panel will need to be removed in order to change lamps – see **Fig. 9**.

Warning - The front panel is heavy and easily damaged.

The front panel is fixed with two screws on top and is supported underneath by the chassis see **Fig. 9**.

Care is needed to avoid the front panel falling forward while removing the screws see **Fig. 9a**.

While holding the front by its sides with both hands carefully tilt forwards and then lift **up** and **out** - see **Fig. 9b**.

Place the front panel flat on a protective surface such as a matt with the glass facing away from the floor.

To gain access to lamps please apply the following procedure: Remove two screws securing fuel effect. Holding the logs carefully lift **up (1)** and **out (2)** for SP1,2 & 3 models - see **Fig. 10**.

For the SP8 model remove the pebbles and carefully place to one side.

Carefully slide the flexible rotisserie (see **Fig. 11a**) to one side ensuring that the rubber grommet is not lost – see **Fig. 11b**.

Remove the defective lamp by unscrewing it (see **Fig. 12**).

Replace with a 60W E14 SES Clear Candle bulb, rotating it.

Take care not to over-tighten the lamp.

Steps for reassembling the heater

1. Refit the rotisserie making sure that the rubber grommet is carefully pushed into the slotted hole on the axial bracket (see **Fig. 11c**).

2. Refit the fuel effect ensuring that the fuel effect bracket (see **Fig. 10b**) on the fuel effect slots in between the fuel effect retaining bracket and the inner glass (see **Fig. 10a**).

3. Refit the front panel (ensuring that its base is held in place i.e. that it slots into the channel on the frame (see **Fig. 10c**) reversing the steps as outlined previously.

Thermal Safety Cut-out

For your safety, this appliance has been fitted with thermal cut-out. In the event that the product overheats, the cut-out switches the heat off automatically.

To bring the heat back into operation, remove the cause of the overheating, then unplug or turn off the electrical supply to the heater for up to 10 minutes.

When the heater has cooled sufficiently, re-connect and switch on the heater.

Caution: In order to avoid a hazard due to inadvertent resetting of the thermal cut-out, this appliance must not be supplied through an external switching device, such as a timer, or connected to a circuit that is regularly switched on and off by the utility.

Cleaning

WARNING – ALWAYS DISCONNECT FROM THE POWER SUPPLY BEFORE CLEANING THE HEATER.

For general cleaning use a soft clean duster – never use abrasive cleaners. The glass viewing screen should be cleaned carefully with a soft cloth. DO NOT use proprietary glass cleaners.

Recycling

For electrical products sold within the European Community.



At the end of the electrical products useful life it should not be disposed of with household waste. Please recycle where facilities exist. Check with your Local Authority or retailer for recycling advice in your country.

After Sales Service

Your product is guaranteed for one year from the date of purchase.

Within this period, we undertake to repair or exchange this product free of charge (excluding lamps & subject to availability) provided it has been installed and operated in accordance with these instructions.

Your rights under this guarantee are additional to your statutory rights, which in turn are not affected by this guarantee.

Should you require after sales information or assistance with this product please go to www.dimplex.co.uk where you will find our self help guide by clicking on "After Sales" or ring our helpdesk on 0845 600 5111 (UK) or 01 842 4833 (R.O.I.) .

Spare parts are also available on the website

www.dimplex.co.uk

Please retain your receipt as proof of purchase.

Dimplex UK Ltd.
Millbrook House
Grange Drive
Hedge End
Southampton
Hampshire. SO30 2DF

www.dimplex.co.uk

Republic of Ireland Tel. 01 8424833